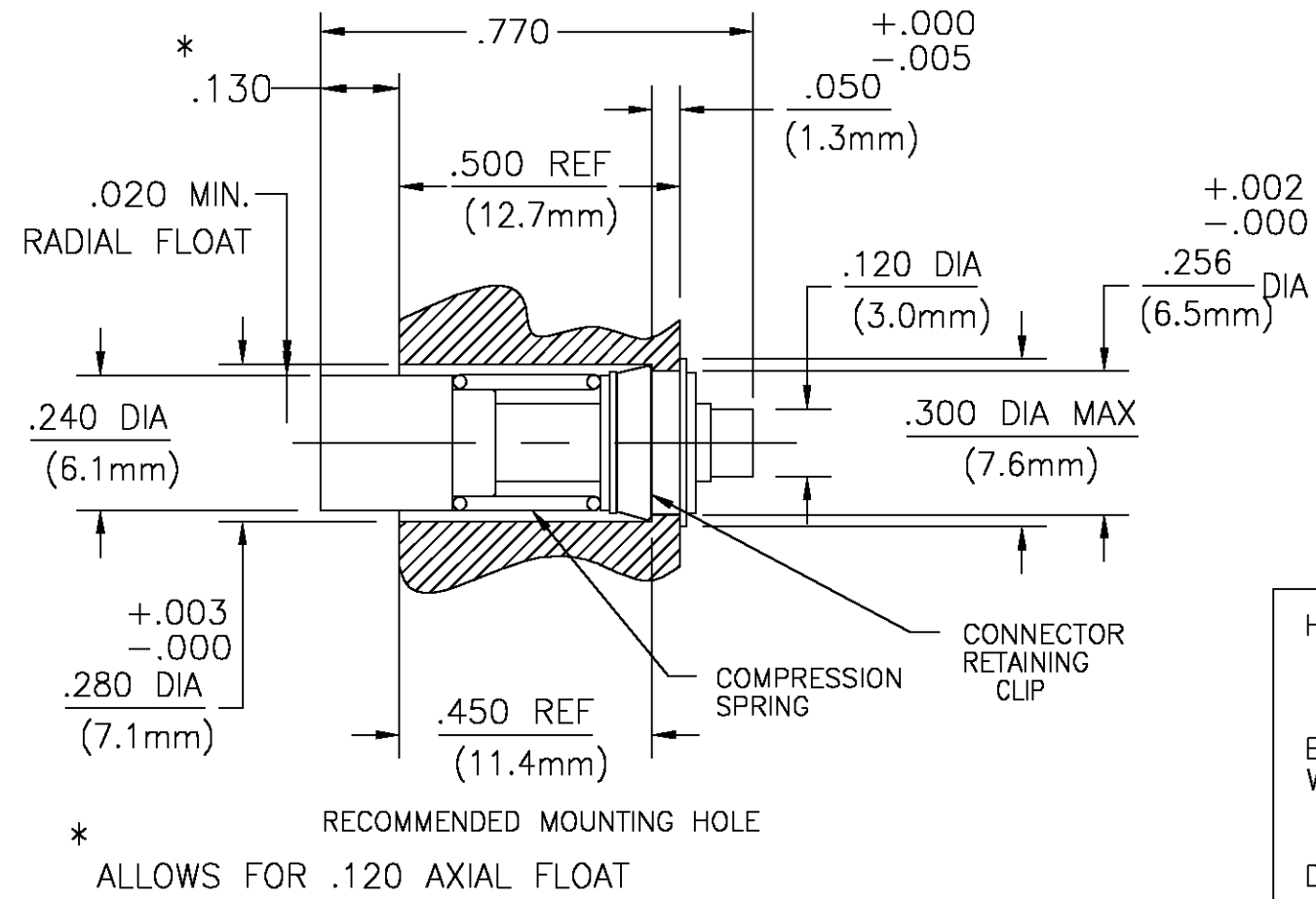


THIS DRAWING IS UNPUBLISHED. RELEASED FOR PUBLICATION
 © COPYRIGHT BY TYCO ELECTRONICS CORPORATION. ALL RIGHTS RESERVED.

LOC	DIST	REVISIONS					
HC	00	P	LTR	DESCRIPTION	DATE	DWN	APVD
		B		REVISED PER 0S14-0174-03.	13AUG03	JGH	JGH



DESIGNED FOR USE WITH .085 S/R CABLE	
CABLE ENTRY DIAMETER MINIMUM	
CONTACT	.021
HOUSING	.091

ELECTRICAL	MECHANICAL	ENVIRONMENTAL
NOMINAL IMPEDANCE (OHMS) <u>50±1</u>	Interface Dimensions <u>SEE TYCO ELECTRONICS CATALOG</u>	TEMPERATURE RATING <u>-65° TO +105°C</u>
Frequency Range (GHz) <u>DC to 28</u>	Mating Characteristics:	Vibration MIL-STD-202, Method 204, Condition D
Volt Rating (VRMS MAX) @ Sea Level <u>335</u>	Insertion (MAX Lbs) <u>2.5</u>	Shock MIL-STD-202, Method 213, Condition D
VSWR <u>1.05+.01f(GHz)</u>	Withdrawal (MIN Oz) <u>0.5</u>	Thermal Shock MIL-STD-202, Method 107, Condition B
Insertion Loss (dB MAX) <u>.04x√f(GHz)</u>	Force to Engage (In-Lbs MAX) <u>2.5</u> & Disengage (In-Lbs MAX) <u>1.5</u>	Moisture Resistance MIL-STD-202, Method 106
RF Leakage (dB MIN) (Interface Only, Fully Mated) <u>-(90-f(GHz))</u>	Center Contact Captivation	Corrosion - MIL-STD-202, Method 101, Cond B
Corona, 70,000 Ft (VRMS MIN) <u>250</u>	Axial (Lbs) <u>4</u>	
Dielectric Withstanding Voltage (VRMS MIN) @ Sea Level <u>675</u>	Cable Retention	
Contact Resistance (Milliohms MAX)	Axial Force (Lbs MIN) <u>30</u>	
Center Contact <u>6.0</u>	Torque (In-Oz MIN) <u>16</u>	
Outer Contact <u>3.0</u>	Spring Rate <u>18.5 lbs/in</u>	
Cable to Housing <u>0.5</u>	Pre-load <u>2.7 lbs min</u>	
RF High Potential @ Sea Level (VRMS MIN @ 5 MHz) <u>675</u>	Durability <u>5000 cycles</u>	
I.R.(Megohms MIN) <u>5000</u>		

COMPONENT	MATERIAL	FINISH
HOUSING	STAINLESS STEEL PER ASTM-A484 AND ASTM-A582, TYPE 303	GOLD PLATE PER MIL-G-45204 OVER NICKEL PLATE PER QQ-N-290
BUSHING WASHER	STAINLESS STEEL PER ASTM-A484 AND ASTM-A582, TYPE 303	PASSIVATE PER ASTM-A380
DIELECTRIC	TFE FLUOROCARBON PER ASTM-D-1457	N/A
CENTER CONTACT CONTACT SLEEVE	BERYLLIUM COPPER PER ASTM B 196, ALLOY C17300, CONDITION H	GOLD PLATE PER MIL-G-45204 OVER NICKEL PLATE PER QQ-N-290
RETAINING CLIP	BERYLLIUM COPPER PER ASTM B 196, ALLOY C17300, CONDITION H	GOLD PLATE PER MIL-G-45204
RETAINING RING	STAINLESS STEEL	PASSIVATED
CONTACT RING	BERYLLIUM COPPER PER ASTM B 194	GOLD PLATE PER MIL-G-45204 OVER COPPER PLATE PER MIL-C-14550
SPRING	STAINLESS STEEL	PASSIVATE PER ASTM-A380

THIS DRAWING IS A CONTROLLED DOCUMENT.

DWN	P. VACCARO	10/27/97	Tyco Electronics Corporation Harrisburg, PA 17105-3608
CHK	J. HAVENER	13AUG03	
APVD	J. HAVENER	13AUG03	
NAME	OSSP FLOATING PANEL FEEDTHRU REAR MOUNT CABLE JACK - DIRECT SOLDER ATTACHMENT (4710-5007-00)		
PRODUCT SPEC	408-4657		RESTRICTED TO
APPLICATION SPEC	-		SIZE
WEIGHT	-		CAGE CODE
CUSTOMER DRAWING	-		DRAWING NO
	-		RESTRICTED TO
	-		SCALE
	-		SHEET
	-		OF
	-		REV

SCALE: 3:1 SHEET: 1 OF 1 REV: B